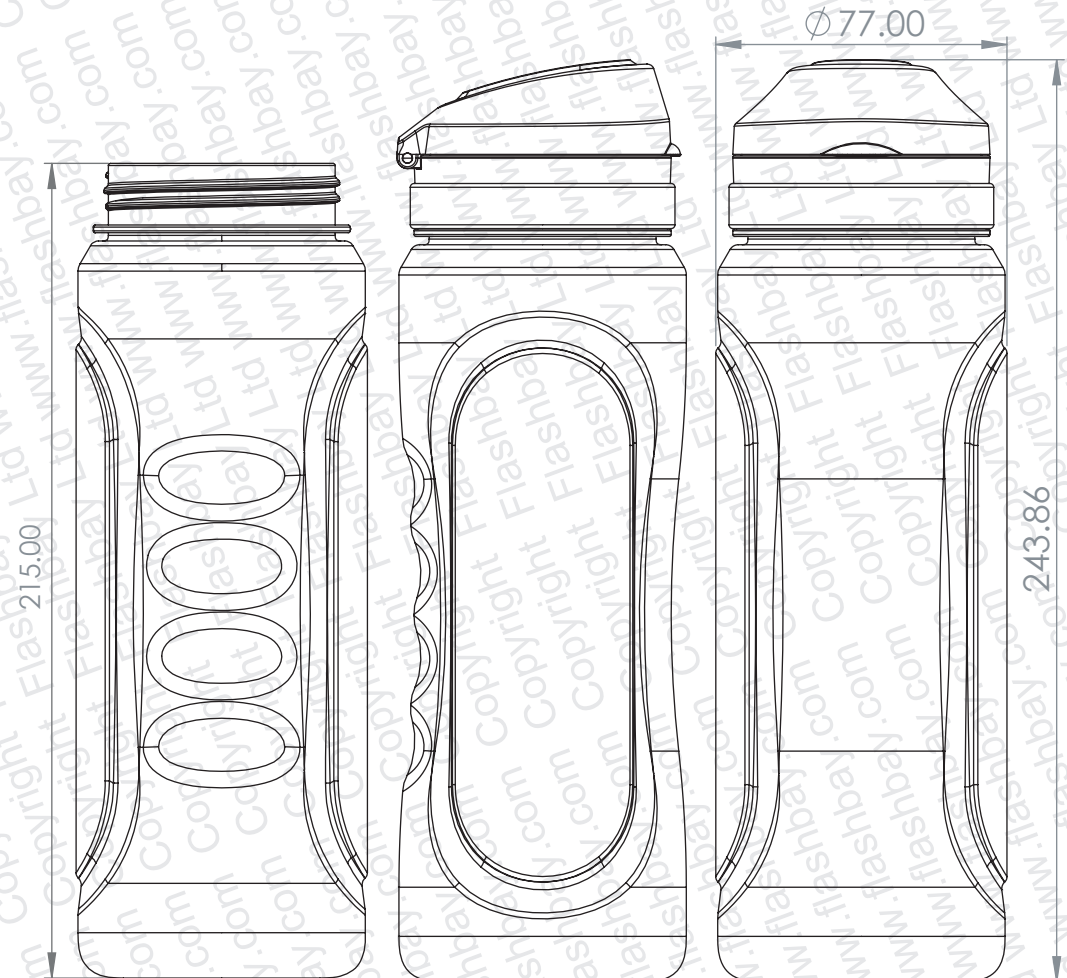
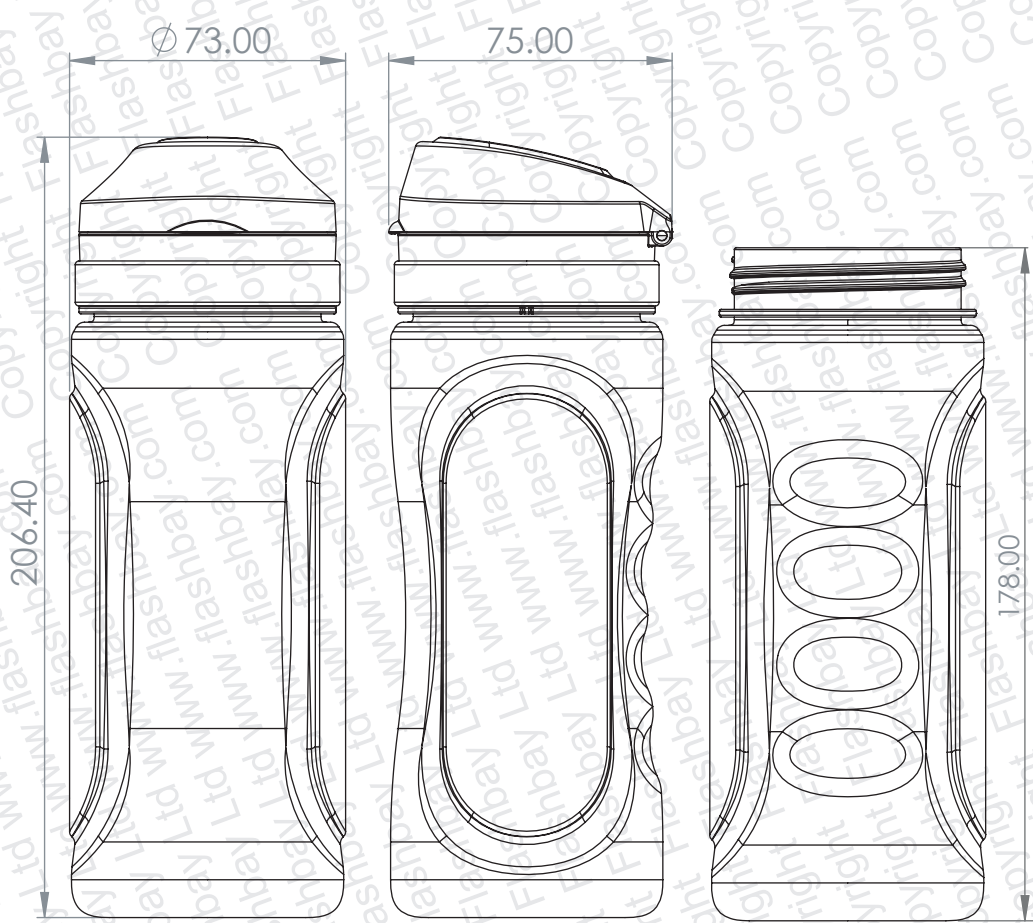
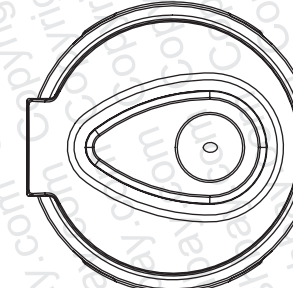


**500ml / 17oz**    **750ml / 25oz**



**PRODUCT**  
Pacific

**CODE**  
PF

**DIMENSIONS**  
mm

**SCALE**  
1:2